

# PRODUCT OVERVIEW

Residential Floor & Roof Systems

ENGINEERED LUMBER

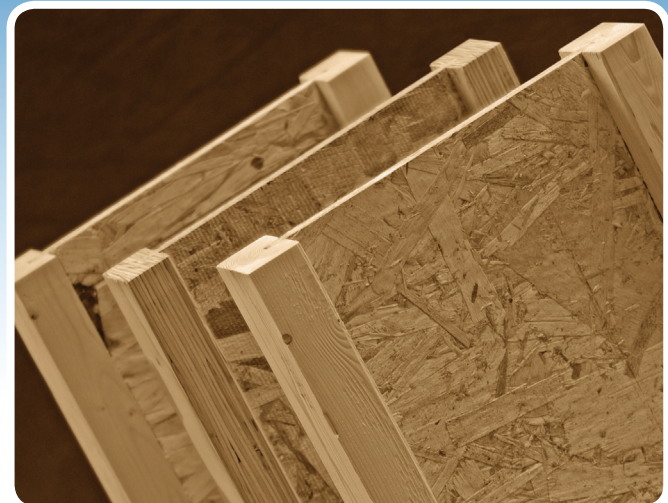






## onCENTER BLI JOISTS

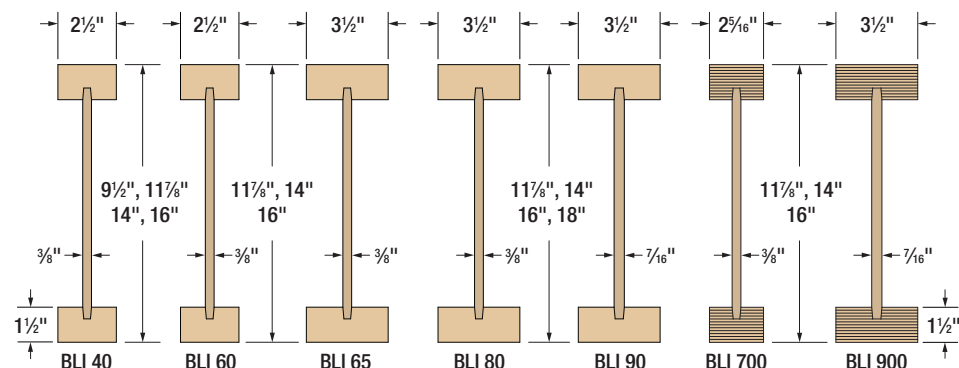
- Lightweight and easy to handle, the I-shaped configuration allows for longer spans and more load-carrying capacity than dimension lumber
- Manufactured with machine stress rated (MSR) or laminated veneer lumber (LVL) flanges and an enhanced OSB web
- Low moisture content means greater dimensional stability resulting in quieter floors and fewer costly callbacks
- Wide flanges provide more support for floor sheathing and more surface area for nailing, saving time and money
- Available in lengths up to 48' (up to 60' by special order)



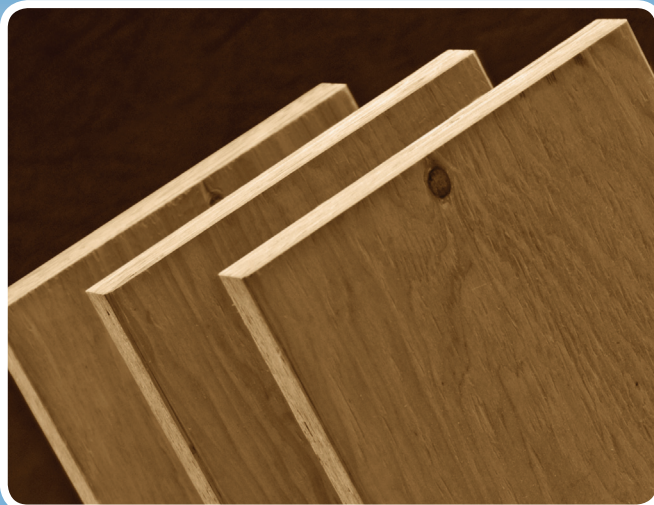
### 40 PSF Live Load (L/480) + 10 PSF Dead Load

Joist Series	Joist Depth	Spacing (Simple Span)				Spacing (Multiple Span)			
		12" o.c.	16" o.c.	19.2" o.c.	24" o.c.	12" o.c.	16" o.c.	19.2" o.c.	24" o.c.
BLI 40	9½"	17'-11"	16'-05"	15'-06"	14'-06"	19'-07"	17'-10"	16'-04"	14'-07"
	11⅞"	21'-05"	19'-07"	18'-06"	16'-08"	23'-04"	20'-05"	18'-07"	16'-07"
	14"	24'-04"	22'-02"	20'-06"	18'-04"	25'-11"	22'-05"	20'-05"	18'-03"
	16"	26'-11"	24'-03"	22'-01"	19'-09"	27'-11"	24'-02"	22'-00"	19'-08"
BLI 60	11⅞"	22'-07"	20'-08"	19'-06"	18'-02"	24'-08"	22'-06"	21'-02"	19'-07"
	14"	25'-08"	23'-06"	22'-02"	20'-08"	28'-00"	25'-07"	24'-01"	19'-09"
	16"	28'-06"	26'-00"	24'-07"	22'-10"	31'-01"	28'-04"	24'-09"	19'-09"
BLI 65	11⅞"	23'-06"	21'-05"	20'-02"	18'-09"	25'-06"	23'-02"	21'-10"	19'-10"
	14"	26'-08"	24'-03"	22'-10"	21'-03"	28'-11"	26'-04"	24'-05"	21'-10"
	16"	29'-06"	26'-10"	25'-04"	23'-06"	32'-01"	28'-10"	26'-04"	23'-06"
BLI 80	11⅞"	24'-10"	22'-08"	21'-04"	19'-10"	27'-01"	24'-08"	23'-02"	21'-07"
	14"	28'-03"	25'-09"	24'-03"	22'-07"	30'-09"	28'-00"	26'-04"	23'-11"
	16"	31'-04"	28'-06"	26'-10"	25'-00"	34'-02"	31'-00"	29'-02"	24'-07"
	18"	34'-02"	31'-01"	29'-03"	24'-10"	37'-03"	33'-10"	30'-09"	24'-07"
BLI 90	11⅞"	25'-07"	23'-03"	21'-11"	20'-05"	27'-10"	25'-03"	23'-10"	21'-10"
	14"	29'-00"	26'-05"	24'-11"	23'-02"	31'-07"	28'-09"	27'-01"	23'-11"
	16"	32'-01"	29'-03"	27'-06"	25'-05"	34'-11"	31'-10"	29'-11"	25'-11"
	18"	35'-01"	31'-11"	30'-01"	24'-10"	38'-03"	34'-09"	31'-09"	25'-05"
BLI 700	11⅞"	23'-00"	21'-00"	19'-10"	18'-06"	25'-01"	22'-10"	21'-07"	19'-06"
	14"	26'-01"	23'-10"	22'-06"	20'-11"	28'-05"	25'-11"	24'-05"	19'-06"
	16"	29'-00"	26'-05"	24'-11"	23'-01"	31'-07"	28'-09"	24'-05"	19'-06"
BLI 900	11⅞"	26'-04"	24'-00"	22'-07"	21'-00"	28'-08"	26'-01"	24'-07"	22'-10"
	14"	29'-11"	27'-02"	25'-07"	23'-10"	32'-07"	29'-07"	27'-10"	25'-11"
	16"	33'-01"	30'-01"	28'-04"	26'-04"	36'-01"	32'-09"	30'-10"	26'-07"

Spans above are based on uniform loads and composite action with glued-nailed sheathing. For important notes regarding this table, please refer to the onCENTER Engineered Lumber Residential Floor & Roof Systems Product Guide.



Not all products may be available in all locations. Contact BlueLinX for local availability.



## onCENTER 2.1E LVL BEAM AND HEADER

- Resists shrinking, splitting, warping, and checking
- High strength-to-weight ratio
- Easily fasten multiple pieces together to achieve greater thicknesses (up to 7") for higher load carrying capacity
- Protective sealant applied to all factory surfaces for protection from the elements during construction

Thickness	Depths
1¾"	7¼", 9¼", 9½", 11¼", 11⅞", 14", 16", 18", 24"

Available in lengths up to 60' (lengths exceeding 48' by special order in some locations).

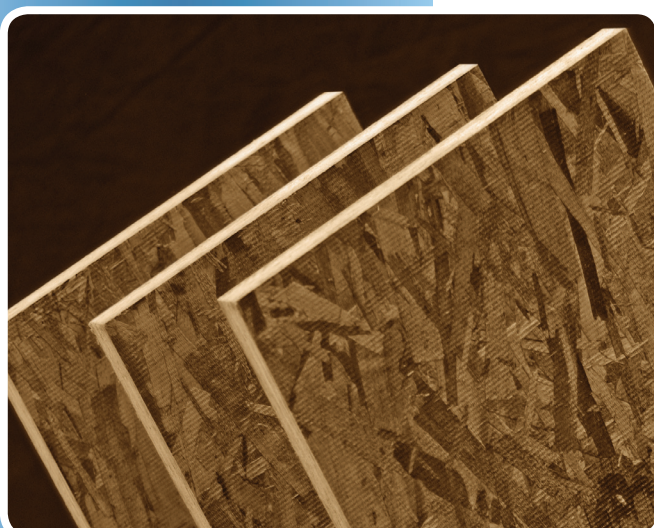


## onCENTER ADVANCED FRAMING LUMBER (AFL)

- Black spruce lumber assembled with a patented process using a double tongue-and-groove edge with waterproof and heat-resistant adhesive
- 100% usability with wane-free edges
- Lightweight and easier to cut and nail than composite lumber
- Available in four grades: 1.6E, 1.7E, 1.9E, and 2.1E

Thickness	Depths
1½"	3½", 5½", 7¼", 9¼", 9½", 11¼", 11⅞", 14", 16"

Available in lengths up to 32'.



## onCENTER RIM BOARD SE

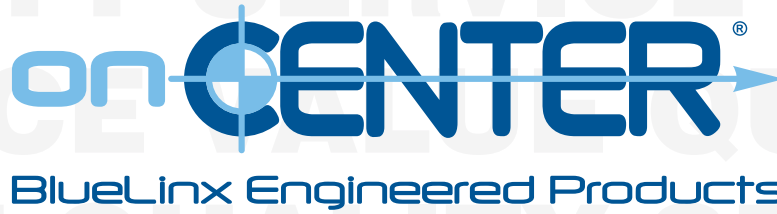
- Ideally suited for floor systems built with BLI joists
- High vertical load transfer capacity
- Provides solid deck attachment

Thicknesses	Depths
1" & 1⅞"	9½", 11⅞", 14", 16", 18"

Available in 12' lengths (24' available in the Western US).

Visit [www.buildonCENTER.com](http://www.buildonCENTER.com) today for additional information about onCENTER products.

QUALITY SERVICE VALUE  
SERVICE VALUE QUALITY  
VALUE QUALITY SERVICE



**ENGINEERED LUMBER**

*When it's built right, it's onCENTER!*

- Manufactured by some of the newest and most technologically advanced mills in the industry
- Rely on our expertise and commitment to supply quality materials with outstanding service
- Benefit from our in-depth understanding of supply chain logistics
- onCENTER Framing Systems can contribute towards green building certification programs such as LEED®, Green Globes®, and the National Green Building Standard
- FSC® & SFI® certified products are available
- Third-party quality assurance provided by APA-EWS (AFL by PFS Corporation)
- Backed by a lifetime limited warranty\* assuring long-lasting, consistent performance
- The entire onCENTER product line can be designed and specified using engineered wood software such as Doma Sizer™, iStruct®, MiTek Sapphire®, and Alpine IntelliVIEW.



**BlueLinx Corporation**  
1950 Spectrum Circle  
Marietta, GA 30067  
877-914-7770  
[www.buildonCENTER.com](http://www.buildonCENTER.com)



\* Visit [www.buildonCENTER.com](http://www.buildonCENTER.com) or call 877-914-7770 for terms, conditions, and limitations of limited warranty.

ONCENTER is a registered trademark, DOMA Sizer is a trademark, and BLUELINX and the BLUELINX design are trademarks and registered service marks of BlueLinx Services, Inc. ISTRUCT is a registered trademark of Calculated Structured Designs, Inc., and SAPPHIRE is a registered trademark of MiTek Holdings, Inc. LEED is a registered trademark of the U.S. Green Building Council. Green Globes is a registered trademark of the Green Building Initiative. FSC is a registered trademark of Forest Stewardship Council, A.C. SFI is a registered trademark of Sustainable Forest Initiative Inc.

©2021 BlueLinx Corporation. All rights reserved. Printed in the U.S.A. on recycled paper.

July 2021 Lit. Item #OCLQG

Dealer information: