







# Delivering **value** to your **business**

BlueLinX has an experienced sales staff ready to assist you in growing your business. From Decorative Columns to Wood Flooring, BlueLinX has forged partnerships with recognized manufacturers to provide you with quality you can count on at a price you can afford to pay. Be it truckloads right from the mill or just-in-time units on our fleet of trucks, you can rely on BlueLinX to handle your needs any time of year.





# Table of Contents

Steps to the Perfect Stair	4	• Handrail Fittings Illustrated	35
Traditional Collection	12	• ADA/Comm'l Rail & Fittings	36
• Post to Post Newels	12, 14	• Wall Rail & Shoe Rail	36
• Over the Post Newels	13, 14	• Handrail Brackets	37
• Pin Top Balusters	15	• Rosettes	37
• Square Top Balusters	16	Treads & Risers	40-45
Hampton Collection	17	• Red Oak Plain Treads	40
• Hampton Newels	17	• Hybrid/Combination Treads	40
• Hampton Balusters	18-19	• Red Oak Return Treads	41
Classic Collection	20	• Solid Edge-Glued Treads	42
• Classic Newels	20	• Red Oak Landing Tread	43
• Classic Balusters	21	• Risers, Loose Returns	43
Regency Collection	22	• FasTREAD® Replacement Tread	44
Olympia Collection	23	• Primed LVL Stringers	44
Craftsman Collection	24	• Primed "GBR" Risers	45
• Craftsman Newels	24, 25	Installation Accessories	46-47
• Full Square Balusters	24		
Box Newels	28-29		
• Box Newel Caps	28-29		
Metal Balusters & Accessories	30-31		
Handrails & Fittings	34-37		







Take these  
steps to  
a *beautiful*  
Staircase



## STEP 1: Choose your Collection

We have several styles and designs from which to choose:

- Traditional Collection
- Hampton Collection
- Classic Collection
- Craftsman Collection
- Metal Balusters

Available species are:



Poplar



Hemlock



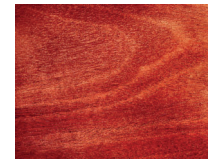
Red Oak



White Oak



Hard Maple

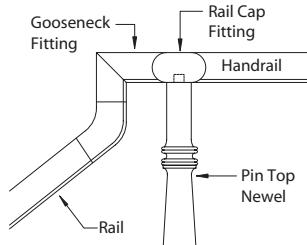


Mahogany

*Ask about the availability of other species.*

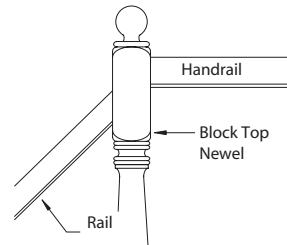
## STEP 2: Choose your Balustrade System

### Over-the-Post System



Handrails travel over newel posts in **OVER THE POST** systems. These systems require handrail fittings and typically require the most amount of time and labor to install.

### Post-to-Post System



In **POST TO POST** systems, rails travel between block top or square top newel posts. These systems generally require the least amount of time and labor to install.



## STEP 3: Choose your Baluster Style

We have several styles and designs from which to choose:

### Pin Top Balusters



Top portion of baluster is round; designed to be inserted into bottom of handrails. 1-1/4" and 1-3/4" square bottoms

### Square Top Balusters



Tops of balusters are square 1-1/4" square or 1-3/4" square. Designed to be used with plowed rail.

### Metal Balusters

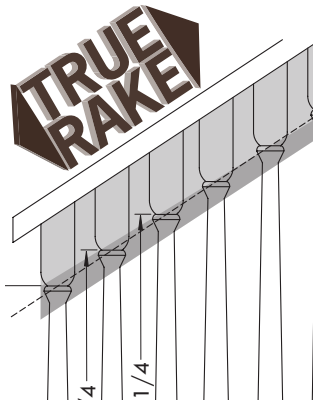


Available in 1/2" square or 5/8" square, our balusters are available in a variety of finishes and styles. Balusters have round pins at top for easier installation.



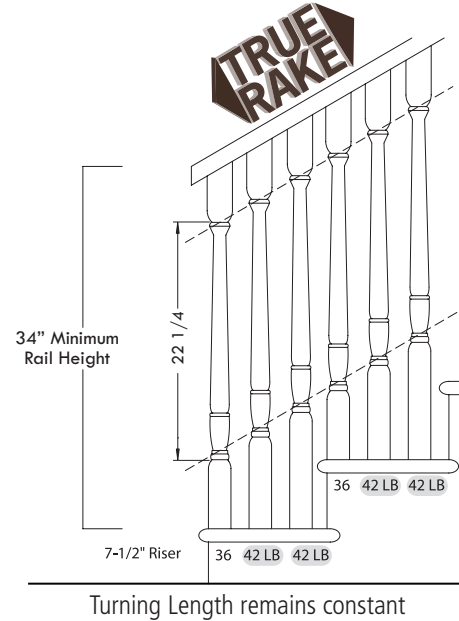
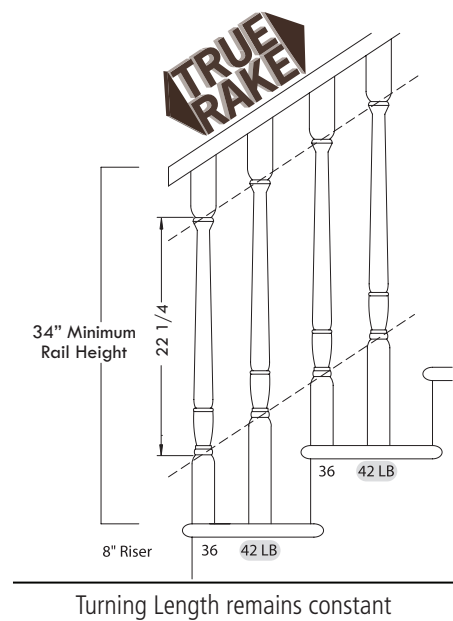
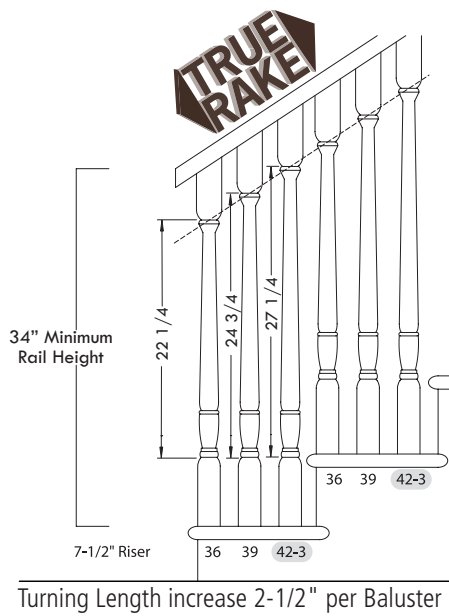
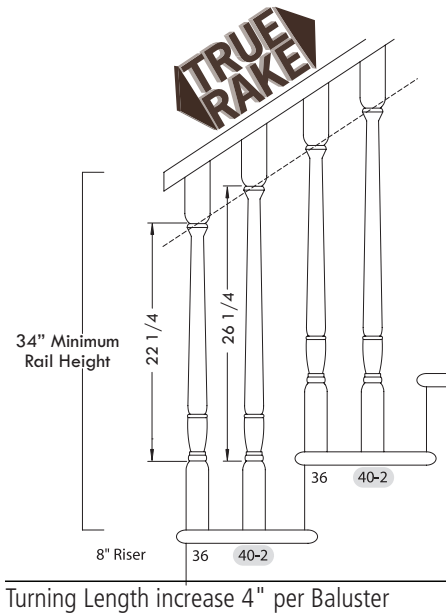


# STEP 3: Choose your Baluster Style (continued)



The "rake" of a staircase is the slope, or angle of the stair as it ascends.

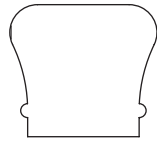
The "True Rake" baluster system offers true alignment so lines appear parallel and clean. See page 18-19 for True Rake balusters.



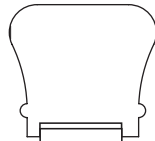
## STEP 4: Choose your Handrail

Handrail styles are matched to each collection based on architectural scale. Refer to individual collection pages to find the best handrail to match with your choice of baluster.

There are two types of handrail available: Unplowed (or Plain), and Plowed.



**Unplowed Rail:**  
Use with pin-top or metal balusters.



**Plowed Rail:**  
Use with square top balusters. Available in 1-1/4" and 1-3/4" widths



6010 Plain



6210 Plain



6510 Plain



6710 Plain



6010 Bending Rail



6210 Bending Rail



6510 Bending Rail



6710 Bending Rail

Each rail profile is available in Plain, Plowed, and in Bending Rail. Each rail profile has a corresponding Bending Rail and Mould profile. Used on curved stairs and balconies, Bending Rail has a matching mould that holds the rail piece together during construction. It also protects it during shipping. The tightest radius to which bending rail can be bent is 48".

**Shoe rails and Fillets**  
Shoe rails are plowed lineal material sometimes used with square bottom balusters. Fillet is cut to fill the spacing between balusters





## STEP 5: Choose your Newel Post System

Depending on the rail style you chose in Step 2, newel posts are classified by **Over-the-Post** pin-top newels, and **Post-to-Post** block top and Box Newels.



Pin top newels require handrail fittings that slide down on top of pins, creating a continuous rail system that is elegant to the touch.



Block top, and Box Newels allow rails to run between them, creating an added touch of detail to your staircase system.

Handrail Fittings are not required unless there is a transition in handrail height between newels (on landings for example).

## STEP 6: Choose your Starting Fitting

If you selected an Over-The-Post system, you should select the type of starting fitting that begins the staircase railing. Certain fittings require specific starting steps. See the notes below.



**Starting Easing with Cap**  
Use on Pin-Top Starting Newels installed on standard starting steps. Newel post and Starting Easing share the same centerline.



**Volute**  
Use with Pin-Top Starting or Volute Newels. Requires a starting step.



**Turnout**  
Use on Pin-Top Starting or Volute Newels. Requires a starting step.





# Get Inspired

Your staircase is likely the first architectural element one sees when entering your home.

So make a statement that sets the tone for the rest of your home.

From wood and metal balusters to box newels, our selection is sure to please.





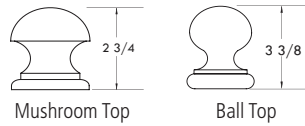


# Traditional Collection

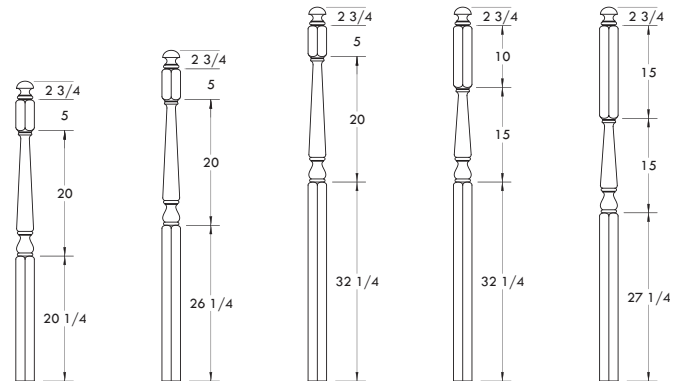
## Post to Post Newels

Rooted in 18th Century America architecture, our **Traditional Collection** represents the best of that era.

Inviting as it is beautiful, create the look of authentic, stylish comfort perfected by Colonial artisans over three centuries ago.



When Ordering: Specify Mushroom Top (MT) or Ball Top (BT)



MODEL #:	4040-48	4040-54	4040-60	4045-60	4046-60
Usage:	S / B	S / B	I	I	I
Length:	48"	54"	60"	60"	60"
Top:	BT / MT	BT / MT	BT / MT	BT / MT	BT / MT
Specie:	RO / PP	RO / PP	RO / PP	RO / PP	RO / PP

Usage Key

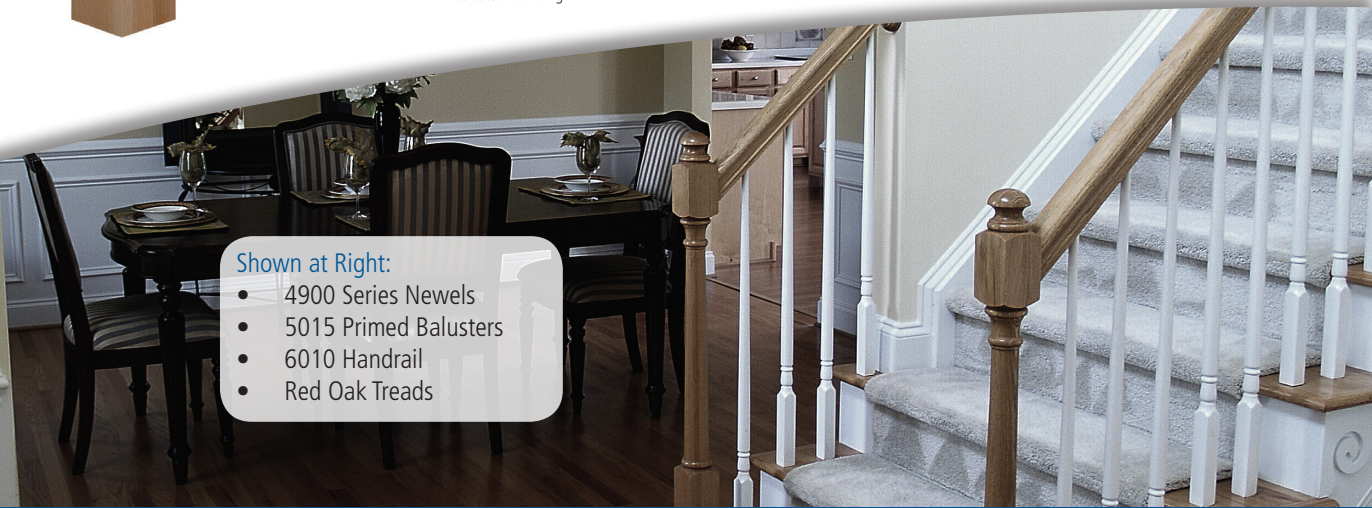
S - Starting Newel  
 B - Balcony Newel  
 I - Intersection/Landing

Top Key

BT - Ball Top  
 MT - Mushroom Top

Specie Key

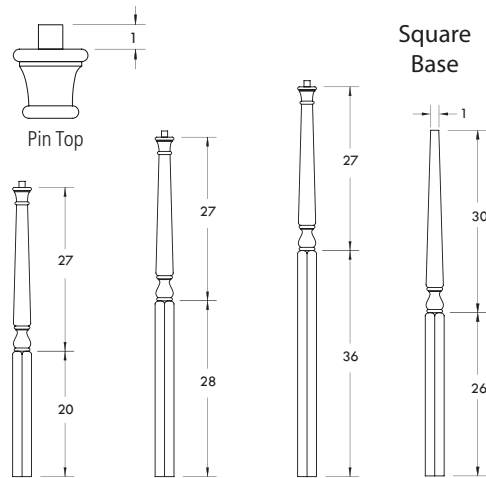
RO - Red Oak  
 PP - Poplar



**Shown at Right:**

- 4900 Series Newels
- 5015 Primed Balusters
- 6010 Handrail
- Red Oak Treads





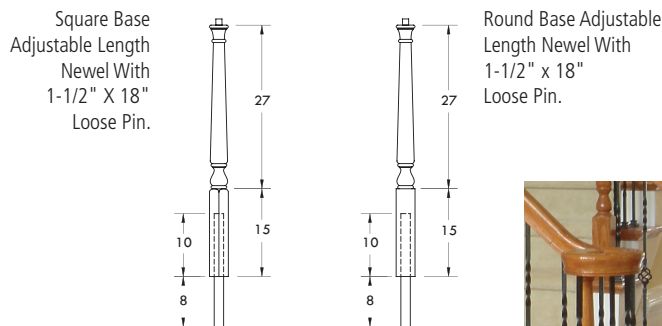
<b>MODEL #:</b>	4015-48	4015-56	4015-64	4019-56
<b>Usage:</b>	S / B	S / B	I	S / B
<b>Length:</b>	48"	56"	64"	56"
<b>Top:</b>	PT	PT	PT	PT
<b>Specie:</b>	RO / PP	RO / PP	RO	RO



### Volute Starting Newels

These newels are designed to be used on starting steps in conjunction with starting fittings such as volutes, turnouts, and opening caps.

See Page 35 for an illustrated guide to handrail fittings.



<b>MODEL #:</b>	4063-43 SBLP	4063-43 RBLP
<b>Usage:</b>	S	S
<b>Length:</b>	43"	43"
<b>Top:</b>	PT	PT
<b>Specie:</b>	RO	RO / PP



#### Usage Key

S - Starting Newel  
B - Balcony Newel  
I - Intersection/Landing

#### Top Key

PT - Pin Top

#### Specie Key

RO - Red Oak  
PP - Poplar

# Traditional Collection

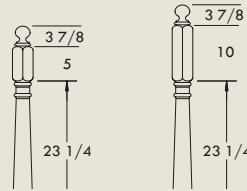
## Newel Posts

Available in Post to Post and Over the Post designs.



<b>MODEL #:</b>	4010BT	4012BT	4015BT	4010PT	4015PT
<b>Usage:</b>	S / B	S / B	B / I	S / B	S / B
<b>Length:</b>	48"	54"	60"	43"	59"
<b>Top:</b>	BT	BT	BT	PT	PT
<b>Specie:</b>	RO / PP / HM	RO	RO / PP / HM	RO	RO

**Block Top Post to Post Newels**  
 Varying lengths of the top block allow for changes in rail direction, such as landings and where stair rails intersect at a balcony.



Usage Key

S - Starting Newel  
 B - Balcony Newel  
 I - Intersection/Landing

Top Key

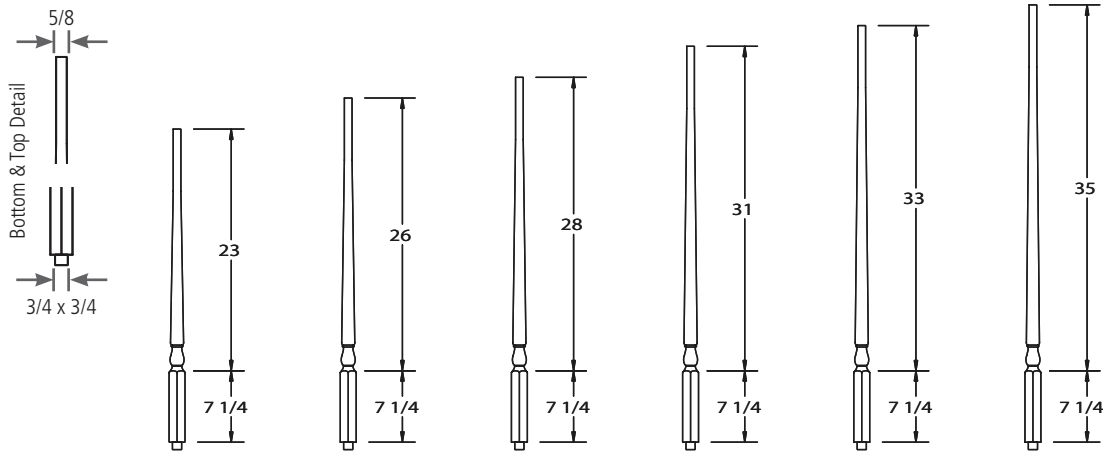
BT - Ball Top  
 PT - Pin Top

Specie Key

RO - Red Oak  
 PP - Poplar  
 HK - Hemlock







<b>MODEL #:</b>	5015-31	5015-34	5015-36	5015-39	5015-41	5015-43
<b>Length:</b>	31"	34"	36"	39"	41"	43"
<b>Bottom :</b>	1-1/4"	1-1/4"	1-1/4"	1-1/4"	1-1/4"	1-1/4"
<b>Specie:</b>	PR	RO / PR	RO / PR	RO / PR	RO / PR	RO / PR

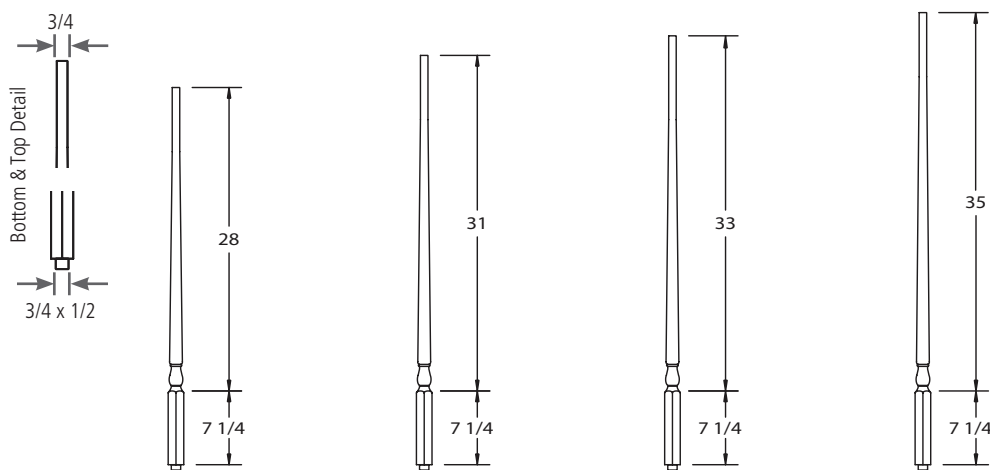
**Specie Key**

RO - Red Oak  
PR - Primed



### The SS-5015 "Smart Stick"

What's smart about the SS-5015 "Smart Stick?" The top and bottom pins are the same size, requiring the same size drill bit... meaning it's easier and quicker to install. That's good news for installers. The bottom pin is shorter and needs no trimming. The 3/4" pin top increases possible spacing of balusters by 1/4" while complying with the 4" maximum spacing in many building codes.



<b>MODEL #:</b>	SS-5015-36	SS-5015-39	SS-5015-41	SS-5015-43
<b>Length:</b>	36"	39"	41"	43"
<b>Bottom :</b>	1-1/4"	1-1/4"	1-1/4"	1-1/4"
<b>Specie:</b>	PR	PR	PR	PR

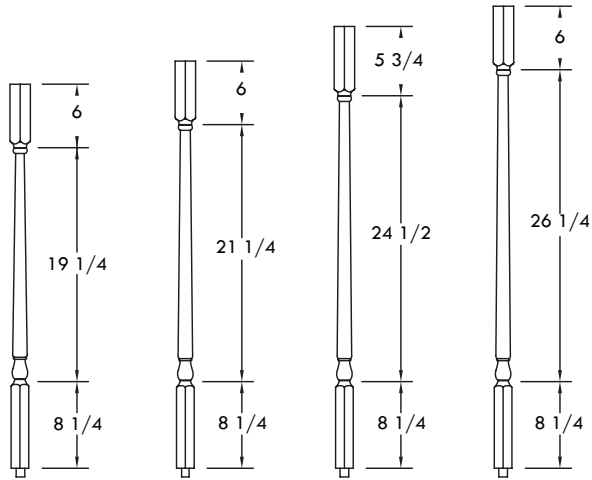
**Specie Key**

PR - Primed



# Traditional Collection

## Square Top Balusters



<b>MODEL #:</b>	5141-34	5141-36	5141-39	5141-41
<b>Length:</b>	34"	36"	39"	41"
<b>Bottom :</b>	1-1/4"	1-1/4"	1-1/4"	1-1/4"
<b>Specie:</b>	PR / PP / RO	PR / HK / PP / RO	PR / HK / PP / RO	PR / HK / PP / RO

**Specie Key**

- PR - Primed
- HK - Hemlock
- PP - Poplar
- RO - Red Oak

Compatible Handrails for our Traditional Collection



6010

6210

6510

6710

**Shown at Right:**

- 4010 Series Newels
- 5015 Primed Balusters
- 6010 Handrail



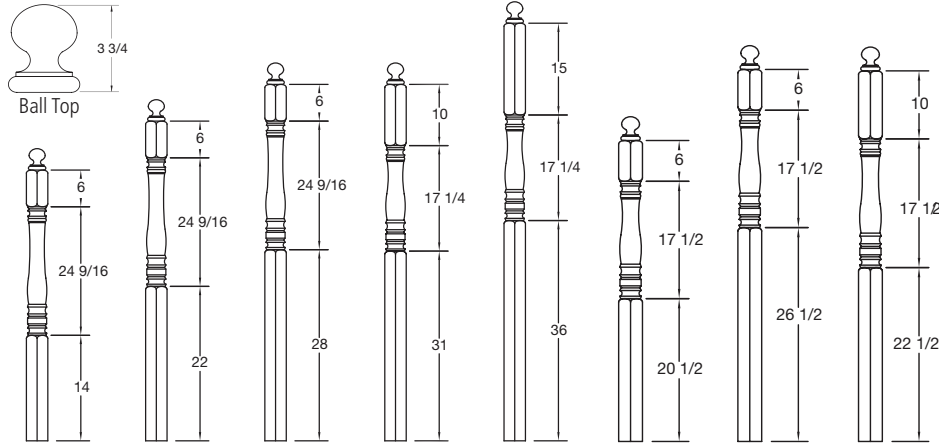
# Hampton Collection

## Newel Posts

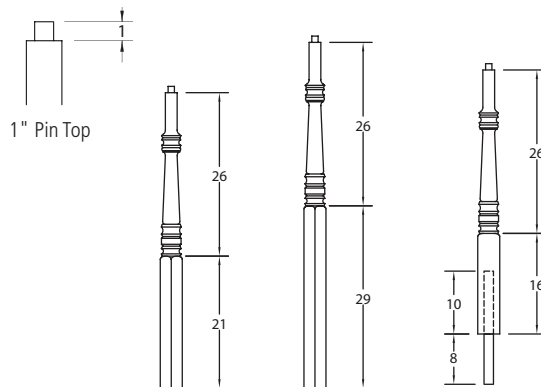
# COLLECTIONS

Our **Hampton Collection** captures the detail and style that are "The Hamptons."

With the same style as its namesake, fine lines and bold curves tastefully highlight elegance and splendor.



MODEL #:	4500-48	4500-56	4500-62	4545-62	4546-72	3500-48	3500-54	3503-54
<b>Usage:</b>	S / B	S / B	I	I	I	S / B	S / B	I
<b>Length:</b>	48"	56"	62"	62"	72"	48"	54"	54"
<b>Bottom:</b>	3-1/2"	3-1/2"	3-1/2"	3-1/2"	3-1/2"	3"	3"	3"
<b>Top:</b>	BT	BT	BT	BT	BT	BT	BT	BT
<b>Specie:</b>	RO	RO	RO	RO	RO	RO	RO	RO



MODEL #:	4515-48	4515-56	4563-43 RBLP
<b>Usage:</b>	S / B	S / B	S
<b>Length:</b>	48"	56"	43"
<b>Bottom:</b>	3-1/2"	3-1/2"	3-1/2"
<b>Top:</b>	PT	PT	PT
<b>Specie:</b>	RO	RO	RO

Round Base Adjustable Length Newel With 1-1/2" x 18" Loose Pin.



### Usage Key

S - Starting Newel  
B - Balcony Newel  
I - Intersection/Landing

### Top Key

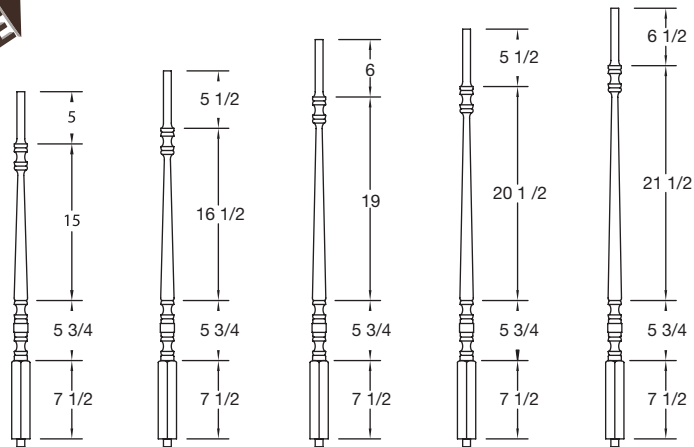
BT - Ball Top  
PT - Pin Top

### Specie Key

RO - Red Oak

# Hampton Collection

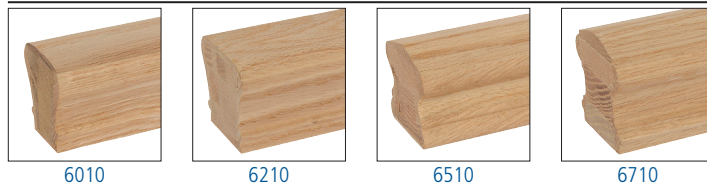
## Pin Top Balusters



MODEL #:	5300-34	5300-36	5300-39	5300-40-2	5300-42-3
<b>Length:</b>	34"	36"	39"	40"	42"
<b>Bottom :</b>	1-3/4"	1-3/4"	1-3/4"	1-3/4"	1-3/4"
<b>Specie:</b>	PR	PR	PR	PR	PR

Specie Key  
PR - Primed

### Compatible Handrails for our Hampton Collection



6010

6210

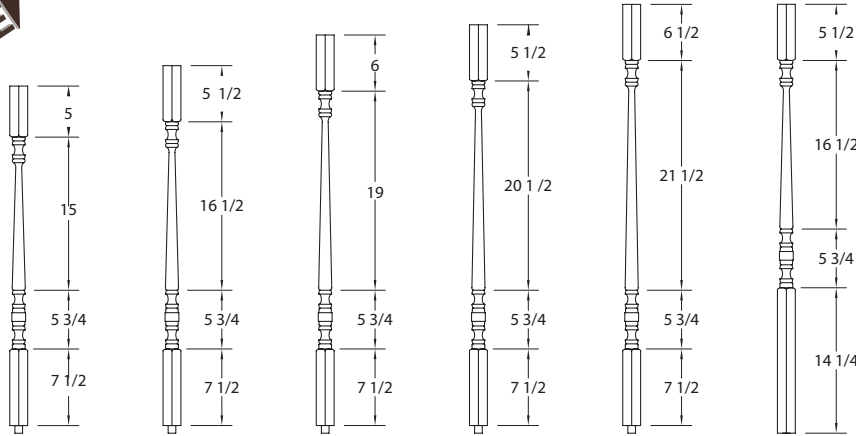
6510

6710

**Shown at Right:**

- 5300 Primed Balusters
- 6210 Handrail



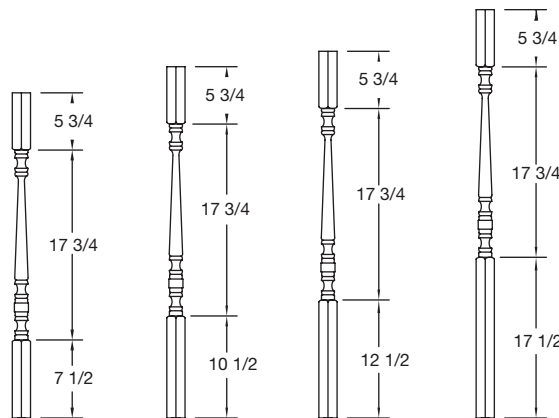
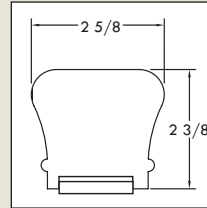


MODEL #:	5105-34	5105-36	5105-39	5105-40-2	5105-42-3	5105-42LB
<b>Length:</b>	34"	36"	39"	40"	42"	42"
<b>Bottom :</b>	1-3/4"	1-3/4"	1-3/4"	1-3/4"	1-3/4"	1-3/4"
<b>Specie:</b>	PR	PR	PR	PR	PR	PR No Pin



### Square Top Balusters:

Plowed Rail is the best choice when using square top balusters. This rail comes with fillet, which is cut to fit between the square tops of balusters. See Page 34 for our selection of plowed rail.



MODEL #:	5205-31	5205-34	5205-36	5235-41
<b>Length:</b>	31"	34"	36"	41"
<b>Bottom :</b>	1-1/4"	1-1/4"	1-1/4"	1-1/4"
<b>Specie:</b>	HK / PP	RO	HK / PP / RO	PR / HK / PP / RO

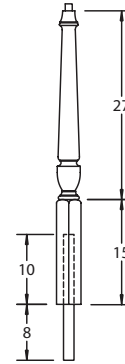
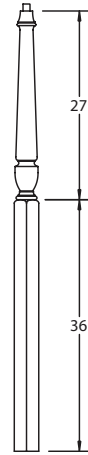
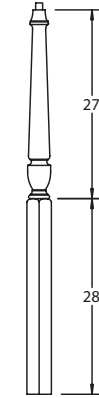
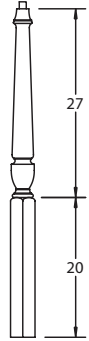
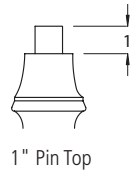
### Specie Key

- PR - Primed
- HK - Hemlock (No Pin)
- PP - Poplar (No Pin)
- RO - Red Oak (No Pin)



# Classic Collection

## Newel Posts



MODEL #:	3015P-48	3015P-56	3015P-64	3063P-43 SBLP
Usage:	S / B	S / B	I	S / B
Length:	48"	56"	64"	48"
Bottom:	3-1/2"	3-1/2"	3-1/2"	3-1/2" Sq
Top:	PT	PT	PT	AT
Specie:	RO / PP	RO / PP	RO / PP	RO

Usage Key

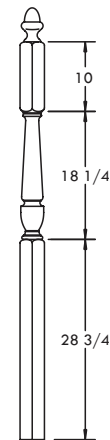
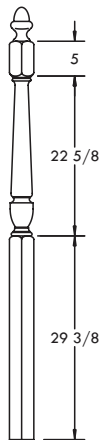
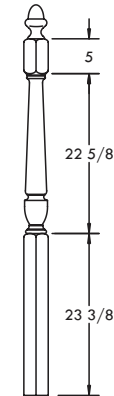
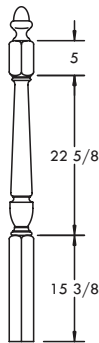
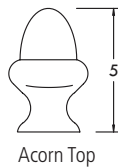
S - Starting Newel  
 B - Balcony Newel  
 I - Intersection/Landing

Top Key

AT - Acorn Top  
 PT - Pin Top

Specie Key

RO - Red Oak  
 PP - Poplar



MODEL #:	3030P-48	3030P-56	3030P-62	3045P-62
Usage:	S / B	S / B	I	S / B
Length:	48"	56"	62"	62"
Bottom:	3-1/2"	3-1/2"	3-1/2"	3-1/2"
Top:	AT	AT	AT	AT
Specie:	RO	RO	RO	RO



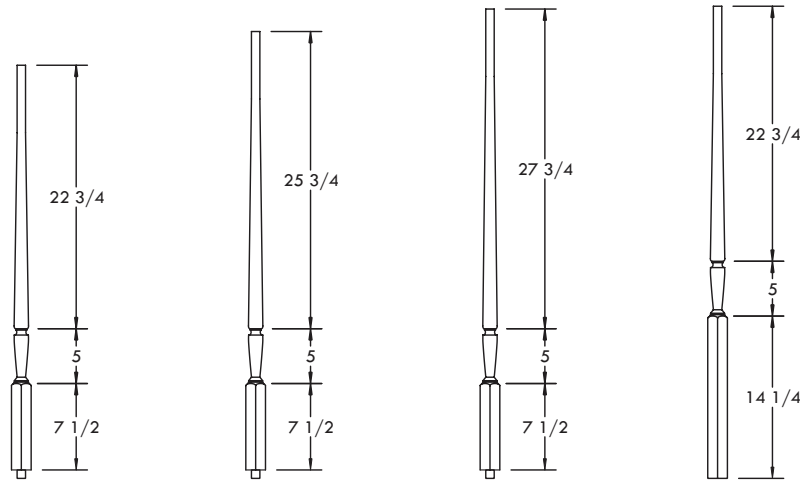


# Classic Collection

## Pin Top Balusters

Our **Classic Collection** captures the artistic style of ancient Greece with its emphasis on proportion and harmony.

These designs have timeless architectural design.



MODEL #:	2015-36	2015-39	2015-41	2015-42LB
<b>Length:</b>	36"	39"	41"	42"
<b>Bottom :</b>	1-3/4"	1-3/4"	1-3/4"	1-3/4"
<b>Specie:</b>	PR / RO	PR / RO	PR / RO	PR / RO No Pin



### Compatible Handrails for our Classic Collection



### Specie Key

PR - Primed  
RO - Red Oak

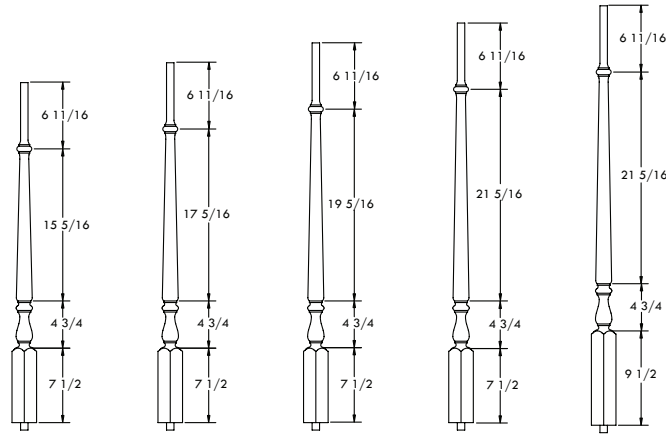
### Parts on this staircase:

- 3063 Volute Newel
- 2015 Primed Balusters
- Red Oak Stair Treads

# Regency Collection

## Newels & Pin Top Balusters

Reflecting the high styles and traditions of late 18th century England and America, the symmetry and balance of The Regency Collection are typical of center-hall colonial style homes.



<b>MODEL #:</b>	2715-35	2715-37	2715-39	2715-41	2715-41LB
<b>Length:</b>	35"	37"	39"	41"	41"
<b>Bottom :</b>	1-3/4"	1-3/4"	1-3/4"	1-3/4"	1-3/4"
<b>Specie:</b>	PR	PR	PR	PR	PR

**Usage Key**

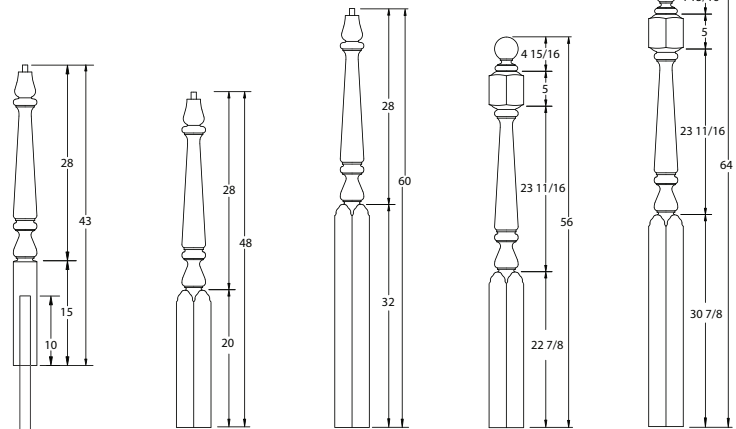
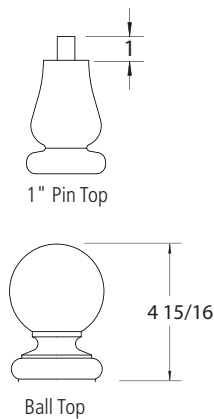
- S - Starting Newel
- B - Balcony Newel
- I - Intersection/Landing

**Top Key**

- PT - Pin Top
- BT - Ball Top

**Specie Key**

- RO - Red Oak
- PP - Poplar
- PR - Primed



<b>MODEL #:</b>	4863	4815-48	4815-60	4840-56	4840-64
<b>Usage:</b>	S	S / B	I / B	S / B	B / I
<b>Length:</b>	43"	48"	60"	56"	64"
<b>Bottom:</b>	3-1/2"	3-1/2"	3-1/2"	3-1/2"	3-1/2"
<b>Top:</b>	PT	PT	PT	PT	PT
<b>Specie:</b>	RO / WO HM / MH	RO	RO / WO HM / MH	RO / WO HM / MH	RO / WO HM / MH

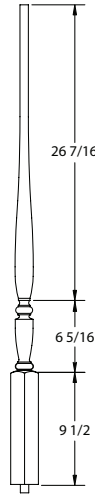
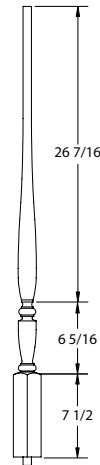
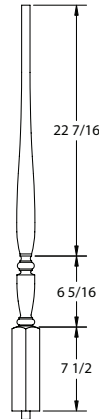


# Olympia Collection

## Pin Top Balusters

COLLECTIONS

With dignified and restrained emphasis on geometric form, the harmonious proportions of The Olympia Balusters will lend style and grace to any home.



<b>MODEL #:</b>	2815-37	2815-41	2815-43
<b>Length:</b>	35"	41"	43"
<b>Bottom :</b>	1-3/4"	1-3/4"	1-3/4"
<b>Specie:</b>	PR	PR	PR



Specie Key  
PR - Primed

### Compatible Handrails for our Regency and Olympia Collection



6210



6510



6710

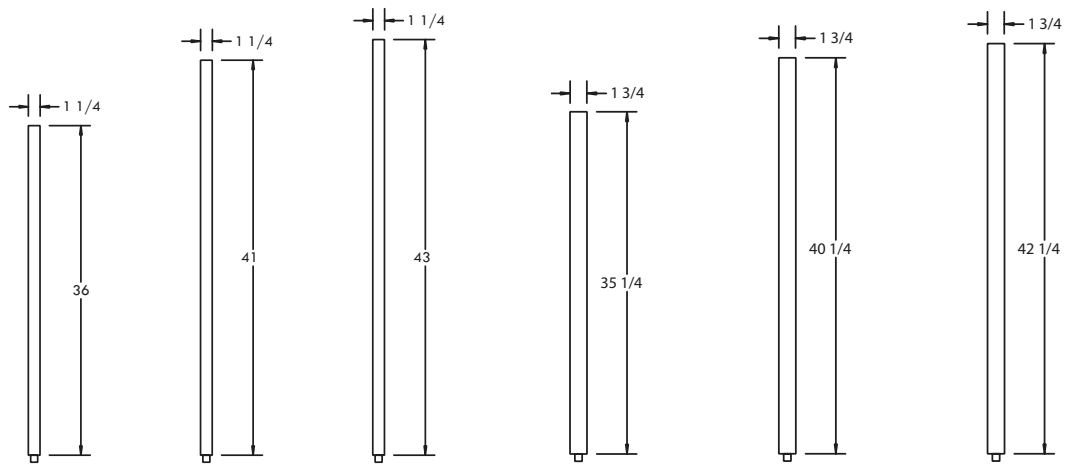


**Shown at Left:**

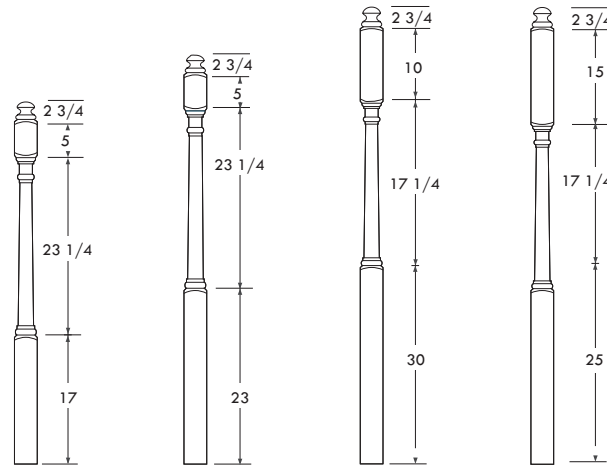
- 4800 Series Newels
- 2715 Primed Balusters
- Red Oak Treads
- 6710 Handrail

# Craftsman Collection

## Newels & Full Square Balusters



<b>MODEL #:</b>	5060-36	5060-41	5060-43	5360-36	5360-41	5360-43
<b>Length:</b>	36"	41"	43"	36"	41"	43"
<b>Bottom :</b>	1-1/4"	1-1/4"	1-1/4"	1-3/4"	1-1/4"	1-3/4"
<b>Specie:</b>	PR / HK / RO	HK	PR / HK / RO	PR / RO	PR	PR / RO



<b>MODEL #:</b>	4940	4942	4945	4946
<b>Usage:</b>	S / B	S / B	I	I
<b>Length:</b>	48"	54"	60"	60"
<b>Bottom:</b>	3"	3"	3"	3"
<b>Top:</b>	MT	MT	MT	MT
<b>Specie:</b>	PP / RO	PP / RO	PP / RO	PP / RO

Usage Key

S - Starting Newel  
 B - Balcony Newel  
 I - Intersection/Landing

Top Key

MT - Mushroom Top

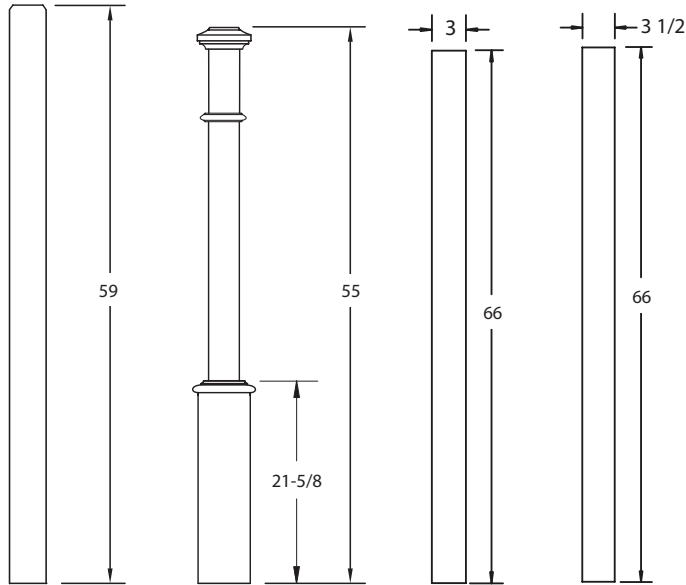
Specie Key

RO - Red Oak  
 PP - Poplar



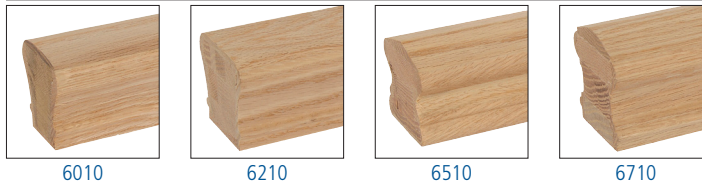


4001564 Hemlock  
Box Newel



<b>MODEL #:</b>	4001588	4001564	4000-66	4001-66
<b>Usage:</b>	S / B / I	S / B / I	S / B / I	S / B / I
<b>Length:</b>	59"	55"	66"	66"
<b>Bottom:</b>	3-1/4"	5"	3"	3-1/2"
<b>Top:</b>	CH	BOX	FULL SQ	FULL SQ
<b>Specie:</b>	HK	HK	RO / PP	RO / PP

### Compatible Handrails for our Craftsman Collection



6010

6210

6510

6710

#### Usage Key

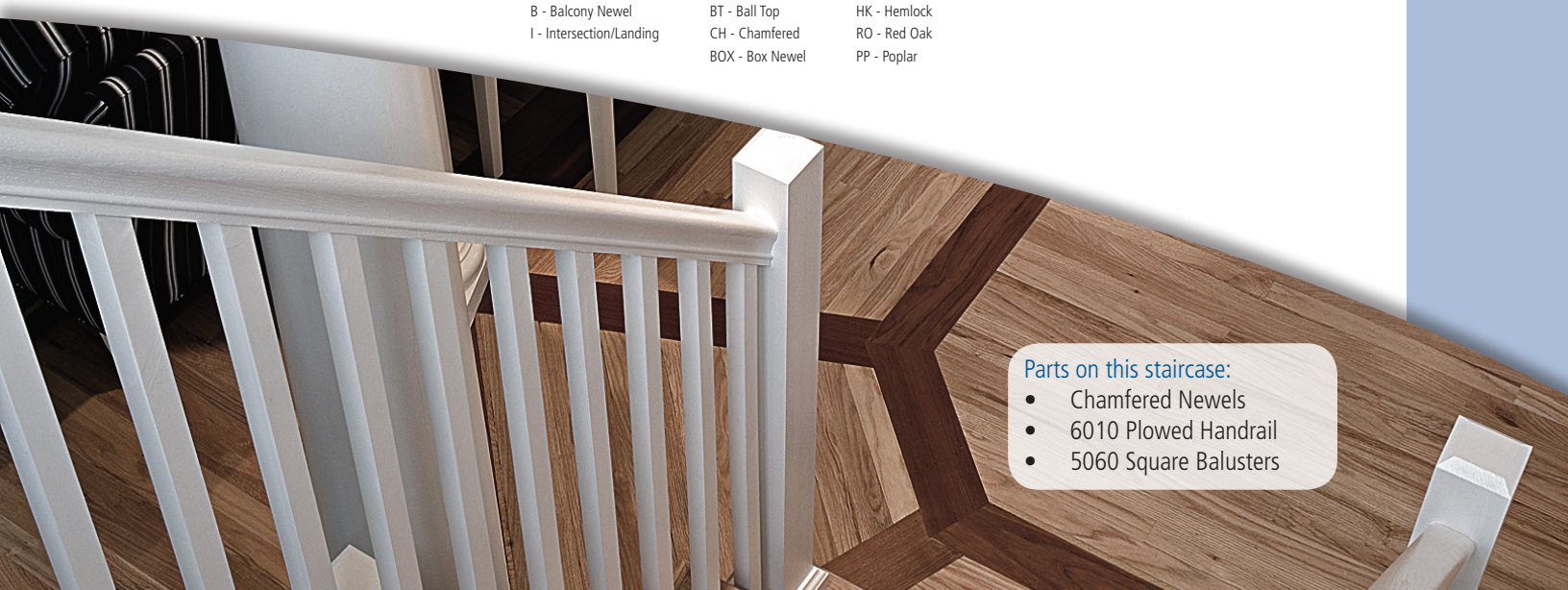
S - Starting Newel  
B - Balcony Newel  
I - Intersection/Landing

#### Top Key

PT - Pin Top  
BT - Ball Top  
CH - Chamfered  
BOX - Box Newel

#### Specie Key

PR - Primed  
HK - Hemlock  
RO - Red Oak  
PP - Poplar



#### Parts on this staircase:

- Chamfered Newels
- 6010 Plowed Handrail
- 5060 Square Balusters





# Box Newels

Box Newels make a bold statement.

Add our Oil Rubbed Copper metal balusters to your staircase for an added touch.

Box Newels come in many styles and sizes.







# High Hat/Pyramid Cap Box Newels



Pyramid



High Hat

Each newel on this page comes with both caps shown above.



PROFILE #:	PL4075-56	PL4075-66	PL4090	PL4091	FL4092	FP4093	RP4094
<b>Description:</b>	Plain	Plain	Adjustable	Plain	Fluted	Flat Panel	Raised Panel
<b>Length:</b>	56"	66"	55"	55"	55"	55"	55"
<b>Square:</b>	3½"	3½"	5"	6¼"	6¼"	6¼"	6¼"
<b>Specie:</b>	PP / RO WO / HM MH	PP / RO	PP / RO WO / HM MH	PP / RO WO / HM MH	PP / RO WO / HM MH	PP / RO WO / HM MH	PP / RO WO / HM MH

Specie Key

- PP - Poplar
- RO - Red Oak
- WO - White Oak
- HM - Hard Maple
- MH - Mahogany

## Box Newel Caps: High Hat/Pyramid



PROFILE #:	9802	9801
<b>Description:</b>	NC-75 Newel Cap Kit	NC-91 Newel Cap Kit
<b>Size:</b>	5" x 5"	6¾" x 6¾"
<b>Specie:</b>	RO / WO HM / MH	RO / WO HM / MH





Radius Cap and Neck Trim Detail on 4095 and 4098 Box Newels



### Specie Key

- PP - Poplar
- RO - Red Oak
- WO - White Oak
- HM - Hard Maple
- MH - Mahogany

<b>PROFILE #:</b>	BS-4077-24	PL4077-64	PL4191-55	PL4095-56	FP4098-56
<b>Description:</b>	Base/Sleeve	Plain	Plain	Plain	Flat Panel
<b>Length:</b>	24"	64"	55"	56"	56"
<b>Square:</b>	5"	3½"	5"	7½"	7½"
<b>Specie:</b>	RO	PP / RO / WO HM / MH	RO	PP / RO / WO HM / MH	PP / RO / WO HM / MH

## Box Newel Radius Caps



NC-77

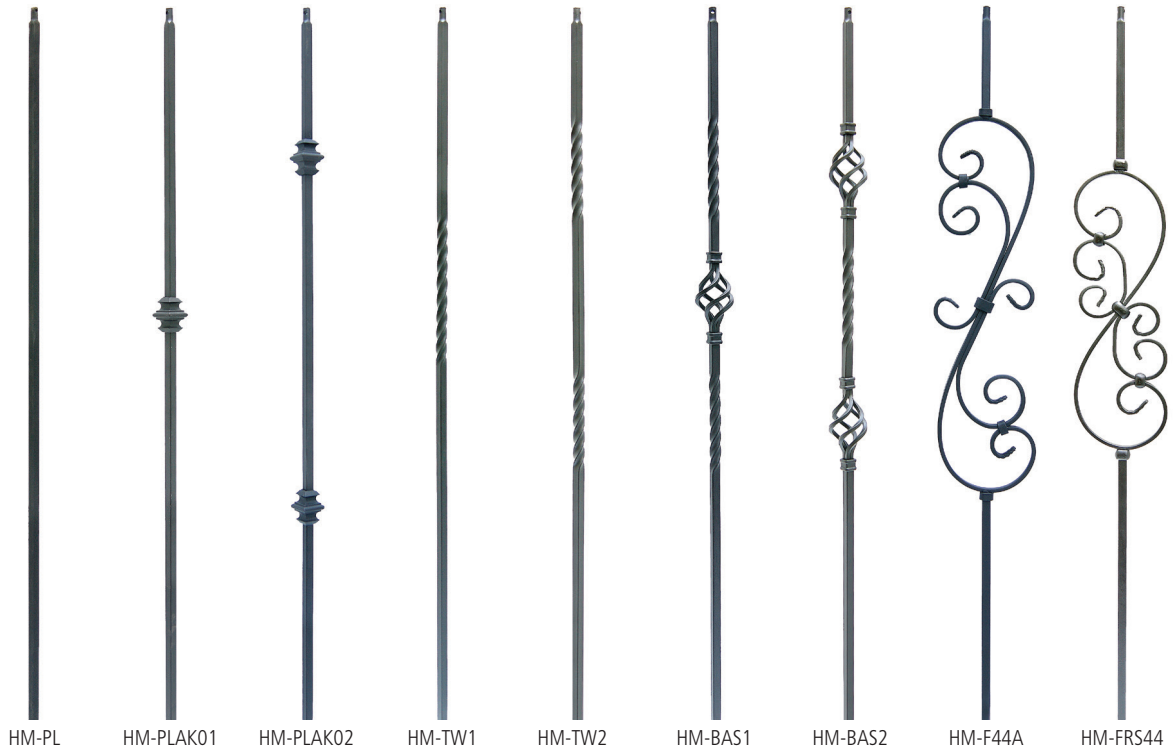


NC-95 / NC-91R

<b>PROFILE #:</b>	NC-77	NC-95	NC-91R
<b>Description:</b>	Cap w/ Cove Mould	Cap w/ Cove Mould	Cap w/ Cove Mould
<b>Size:</b>	5½" x 5½"	8" x 8"	6¾" x 6¾"
<b>Fits:</b>	3½" Newels	7½" Newels	6¼" Newels
<b>Specie:</b>	PP / RO / WO HM / MH	RO / WO HM / MH	RO / WO HM / MH

# Hollow Metal Balusters & Accessories

## 1/2" & 5/8" Balusters



1/2" PROFILE #:	DESCRIPTION	SIZE	AVAILABLE FINISHES
HM-PL44	Plain Bar	1/2" X 44	MB / SB / ORC / ORB
HM-PLAK01	Sgl. Knuckle	1/2" X 44	MB <sup>1</sup> / SB <sup>2</sup> / ORC <sup>1</sup> / ORB <sup>1</sup>
HM-PLAK02	Dbl. Knuckle	1/2" X 44	MB <sup>1</sup> / SB <sup>2</sup> / ORC <sup>1</sup> / ORB <sup>1</sup>
HM-TW1	Sgl. Twist	1/2" X 44	MB / SB / ORC / ORB
HM-TW2	Dbl. Twist	1/2" X 44	MB / SB / ORC / ORB
HM-BAS1	Sgl. Basket	1/2" X 44	MB / SB / ORC / ORB
HM-BAS2	Dbl. Basket	1/2" X 44	MB / SB / ORC / ORB
HM-F44A	Scroll	1/2" X 44	MB / SB / ORC / ORB
HM-FRS44	Scroll	1/2" X 44	SB / ORC / ORB

5/8" PROFILE #:	DESCRIPTION	SIZE	AVAILABLE FINISHES
HM-PL44-58	Plain Bar	5/8" X 44	SB
HM-PLAK01-58	Sgl. Knuckle <sup>1</sup>	5/8" X 44	SB
HM-PLAK02-58	Dbl. Knuckle <sup>1</sup>	5/8" X 44	SB
HM-TW1-58	Sgl. Twist	5/8" X 44	SB
HM-TW2-58	Dbl. Twist	5/8" X 44	SB
HM-BAS1-58	Sgl. Basket	5/8" X 44	SB
HM-BAS2-58	Dbl. Basket	5/8" X 44	SB
HM-F44A	Scroll	5/8" X 44	SB

Notes:  
 1. Knuckles shipped loose  
 2. Knuckles are not adjustable

Notes:  
 1. Knuckles shipped loose  
 2. Knuckles are not adjustable

## 1/2" & 5/8" Baluster Knuckles & Shoes

PROFILE #:	DESCRIPTION	SIZE	FINISH
AK02	Adjustable Knuckle w/Set Screw	1/2"	MB / SB / ORC
FSH02	Flat Base Shoe w/Set Screw	1/2"	MB / SB / ORC / ORB
PSH02	Pitch Shoe w/Set Screw	1/2"	MB / SB / ORC / ORB
AK03	Adjustable Knuckle w/Set Screw	5/8"	SB
FSH03	Flat Base Shoe w/Set Screw	5/8"	SB
PSH03	Pitch Shoe w/Set Screw	5/8"	SB



AK02 / AK03



FSH02 / FSH03



PSH02 / PSH03

### Finish Key

MB - Matte Black  
 SB - Satin Black  
 ORC - Oil Rubbed Copper  
 ORB - Oil Rubbed Bronze



# METAL BALUSTERS





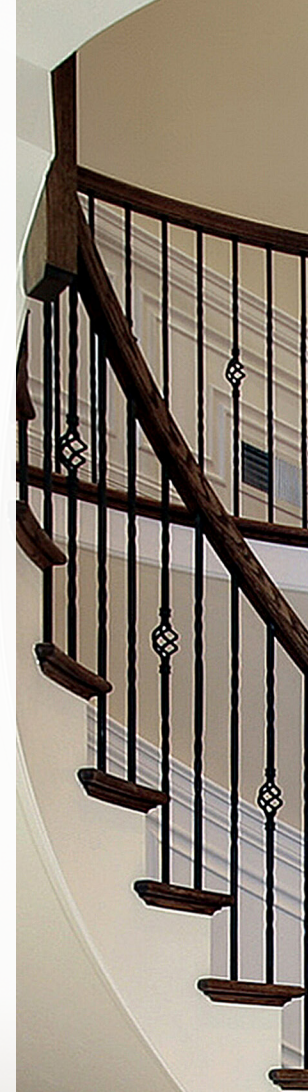


## Elegance

When the space calls for a curved stair,  
our bending rail selection will exceed  
your expectations.

All of our standard handrails have a matching  
bending rail profile, in a variety of the  
most popular wood species.

If your staircase requires a different rail or wood  
specie than offered here, let us know  
what you have in mind.









# Handrail Profiles

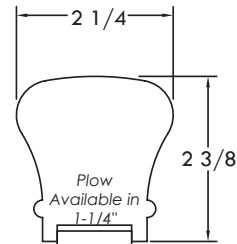
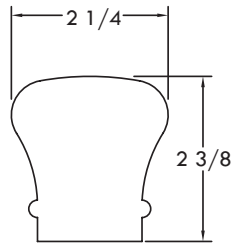
Handrails are the backbone to your stairway, providing continuity and structure to the final design. PROLinX Stair Systems offers both solid and engineered handrails. Each handrail has a matching bending rail profile for curved stair and balcony systems.



**6010 Plain\***



**6010 Bending Rail**



Available in:



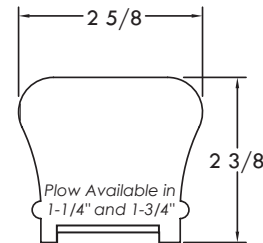
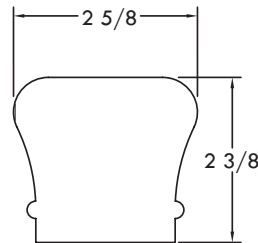
6010 Rail is available in **Finger Joint\***, **NU-Rail Solid\***, **Plain**, and **Plowed\*** with Fillet. Lengths available may vary by species.



**6210 Plain**



**6210 Bending Rail**



Available in:



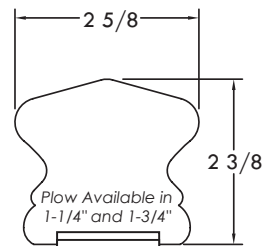
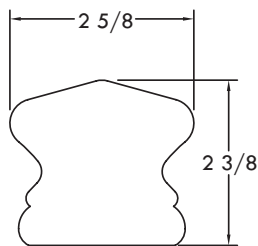
6210 Rail is available in **Finger Joint**, **NU-Rail Solid**, **Plain**, and **Plowed with Fillet**. Lengths available may vary by species.



**6510 Plain\***



**6510 Bending Rail**



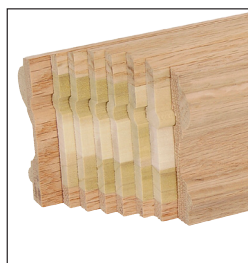
Available in:



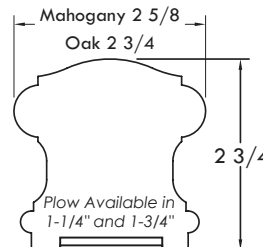
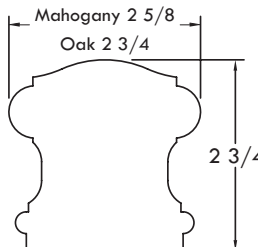
6510 Rail is available in **NU-Rail Solid\***, **Plain**, and **Plowed\*** with Fillet. Lengths available may vary by species.



**6710 Plain**



**6710 Bending Rail**



Available in:



6710 Rail is available in **NU-Rail Solid**, **Plain**, and **Plowed with Fillet**. Lengths available may vary by species.

**\*Available for Quick Ship**

All others Special Order 10-12 Business Days



# Handrail Fittings

## 6010 Colonial



LEFT HAND  
VOLUTE

7030  
7030-90  
7230  
7530  
7730



RIGHT HAND  
VOLUTE

7035  
7035-90  
7235  
7535  
7735



LEFT HAND  
LARGE  
TURNOUT

7040  
7240  
7540  
7740



RIGHT HAND  
LARGE  
TURNOUT

7045  
7245  
7545  
7745



RETURNED END

7009  
7209  
7509  
7709



STARTING EASING  
WITH CAP

7010  
7210  
7510  
7710



QUARTER-TURN  
NO CAP

90° Turn	135° Turn
7011	7011-135
7211	7211-135
7511	
7711	



60° UP  
EASING

7012  
7212  
7512  
7712



60° OVER  
EASING

7013  
7213  
7513  
7713



90° UP EASING

7014  
7214  
7514  
7714



OPENING CAP

7019  
7219  
7519  
7719



TANDEM  
CAP

7020  
7220  
7520  
7720



QUARTER-TURN  
WITH CAP

90° Turn	135° Turn
7021	7021-135
7221	7221-135
7521	7521-135
7721	7721-135



LH

RH

"S" FITTING  
LEFT HAND and  
RIGHT HAND

7047	5" CL
7247	5-1/8" CL
7547	5-1/8" CL
7747	5-1/8" CL



LEFT HAND  
90° 2-RISE  
GOOSENECK  
W/CAP

7060  
7260  
7560  
7760



RIGHT HAND  
90° 2-RISE  
GOOSENECK  
W/CAP

7065  
7265  
7565  
7765



LEFT HAND  
QUARTERTURN  
TURN 2-RISE  
GOOSENECK

NO CAP	W/CAP
7071	7081
7271	7281
7571	7581
7771	7781



RIGHT HAND  
QUARTERTURN  
2-RISE  
GOOSENECK

NO CAP	W/CAP
7076	7086
7276	7286
7576	7586
7776	7786



STRAIGHT  
GOOSENECK  
WITH CAP

1-Rise	2-Rise
7088	7089
	7289
	7589
	7789



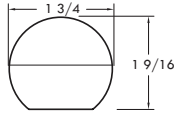
STRAIGHT  
GOOSENECK  
NO CAP

1-Rise	2-Rise
7098	7099
	7299
	7599
	7799

# Other Rails & Fittings

Use our 6040 Round Rail with Flat Bottom where building codes require handrails to comply with the American with Disabilities Act. Rail joinery is made easy by using our Spring Bolt Rail To Rail Kit® on page 46.

## ADA/Commercial Rail & Fittings



**6040 Round Rail\***



**7123 Quarterturn**



**7124 Up Easing**



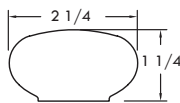
**7125 Over Easing**

<b>PROFILE #:</b>	6040	7123	7124	7125
<b>Description:</b>	Round Rail w/Flat Bottom	90° Quarterturn	60° Up Easing	60° Over Easing
<b>Available Species:</b>	PP / RO*	PP / RO	PP / RO	PP / RO

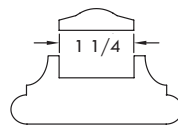
Specie Key

- PP - Poplar
- RO - Red Oak
- WO - White Oak
- HM - Hard Maple

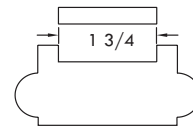
## Wall Rail & Shoe Rail



**6042 Wall Rail\***



**6045 Shoe Rail**



**6006 Shoe Rail**

<b>PROFILE #:</b>	6042	6045	6006
<b>Description:</b>	Oval Fingerjoint Wall Rail	Shoe Rail w/1-1/4" Fillet	Shoe Rail w/1-3/4" Fillet
<b>Available Species:</b>	HK / PP / RO*	HK / PP / RO	PP / RO / HM

*Fillet is available separately in Poplar, Red Oak, White Oak, Hard Maple, and Mahogany*

**\*Available for Quick Ship**

*All others Special Order 10-12 Business Days*



# Handrail Accessories

## 6010 Colonial Rail Brackets



Bright Brass



Matte Black



Oil Rubbed Copper



Brushed Nickel



Old World Copper



702-MD

PROFILE #:	601-HD	702-MD
<b>Description:</b>	Heavy Duty Rail Bracket	Medium Duty Economy Bracket
<b>Available Finishes:</b>	BB / MB / ORC / BN / OWC	BB / BN

### Finish Key

- BB - Bright Brass
- MB - Matte Black
- ORC - Oil Rubbed Copper
- BN - Brushed Nickel
- OWC - Old World Copper



7317 Round Rosette



7337 Oval Rosette



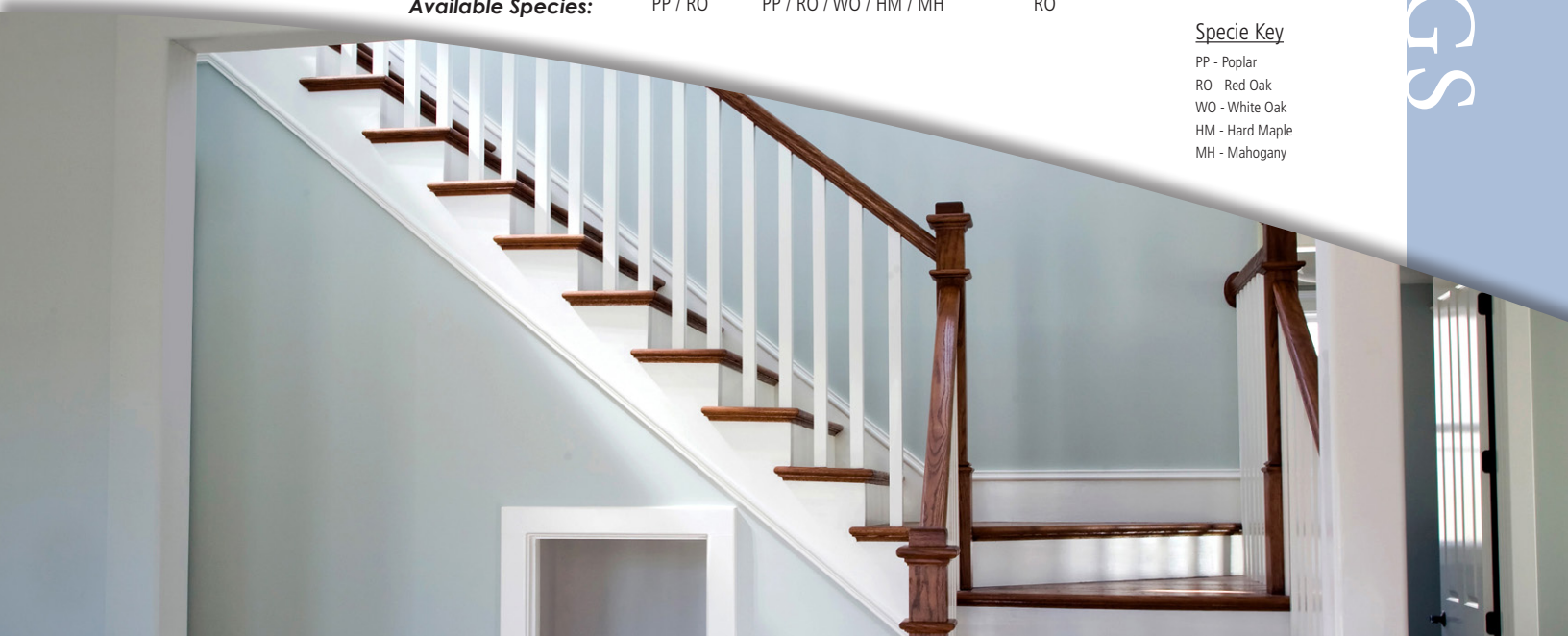
5220 Rectangle Rosette

PROFILE #:	7317 Rosette	7337 Rosette	5220 Rosette
<b>Description:</b>	4" Full Round	4" x 5-1/2" Oval	4-5/16" x 6" Rectangle
<b>Available Species:</b>	PP / RO	PP / RO / WO / HM / MH	RO

## Rosettes

### Specie Key

- PP - Poplar
- RO - Red Oak
- WO - White Oak
- HM - Hard Maple
- MH - Mahogany







# Classic

Harmonious design, balance of architectural scale, and a dignified emphasis on geometric form will create a lasting first impression.

When a classic, timeless look is desired, our Classic collection offers many styles that have withstood the test of time, adding the perfect architectural accent to match any style of home.









# Engineered Treads

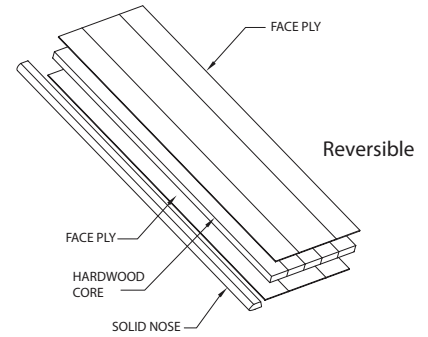
## Red Oak Plain Treads



Engineered Red Oak Tread

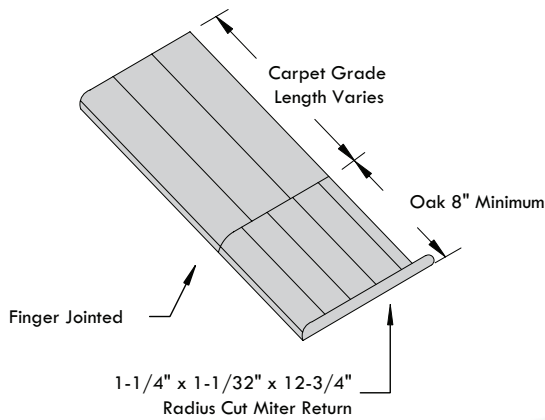
Item #	Actual Net Size
8510	1-1/32 x 10-1/2 x 36
8510	1-1/32 x 10-1/2 x 42
8510	1-1/32 x 10-1/2 x 48
8510	1-1/32 x 10-1/2 x 54
8530	1-1/32 x 11-1/2 x 36
8530	1-1/32 x 11-1/2 x 42
8530	1-1/32 x 11-1/2 x 48
8530	1-1/32 x 11-1/2 x 54
8530	1-1/32 x 11-1/2 x 60
8530	1-1/32 x 11-1/2 x 72

Treads and Starting Steps create the foundation for your staircase. No other component receives as much wear and tear. PROLinX Stair Systems are engineered with this in mind...performance required to last a lifetime.



## Hybrid Combination Treads

For stairs with carpeted runners where an oak reveal is desired.



Item #	Miter Style	Actual Net Size
8631H	Sweep	1-1/32 x 11-1/2 x 42
8631H	Sweep	1-1/32 x 11-1/2 x 48
8631H	Sweep	1-1/32 x 11-1/2 x 54
8631H	Sweep	1-1/32 x 11-1/2 x 60



- Parts on this staircase:
- 8631 Hybrid Return Treads
  - 5015 Primed Balusters
  - 4040 Red Oak Newel



# Engineered Treads

## Red Oak Return Treads

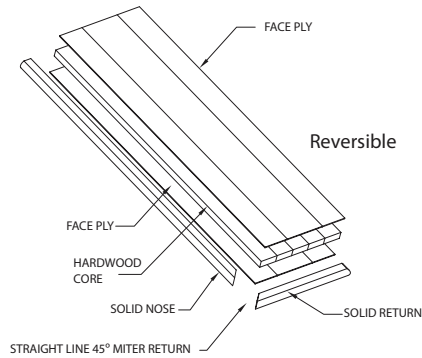


Straight Line Miter Return Tread



Sweep Miter Return Tread

Item #	Miter Style	Actual Net Size
8503	Straight Line	1-1/32 x 10-1/4 x 42
8503	Straight Line	1-1/32 x 10-1/4 x 48
8503	Straight Line	1-1/32 x 10-1/4 x 54
8523	Straight Line	1-1/32 x 11-1/4 x 42
8523	Straight Line	1-1/32 x 11-1/4 x 48
8523	Straight Line	1-1/32 x 11-1/4 x 54
8531	Sweep	1-1/32 x 11-1/2 x 42
8531	Sweep	1-1/32 x 11-1/2 x 48
8531	Sweep	1-1/32 x 11-1/2 x 54
8531	Sweep	1-1/32 x 11-1/2 x 60



## Southern Yellow Pine Treads



Bullnose Pine Tread

Item #	Usage	Actual Size
350771	under carpet/basement steps	1" X 11 1/4" X 12' w/bullnose
350774	under carpet/basement steps	1" X 11 1/4" X 16' w/bullnose
448216	Stain Grade	1" X 11 1/4" X 12' w/bullnose
448218	Stain Grade	1" X 11 1/4" X 16' w/bullnose

# Solid Edge-Glued Treads

## Plain Treads

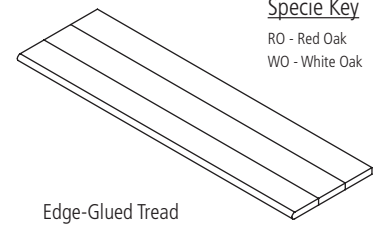
Available in Red Oak and White Oak



Edge-glued Plain Tread

Item #	Actual Net Size	Species
8430	1-1/32 x 11-1/2 x 36	RO / WO
8430	1-1/32 x 11-1/2 x 42	RO / WO
8430	1-1/32 x 11-1/2 x 48	RO / WO
8430	1-1/32 x 11-1/2 x 54	RO / WO
8430	1-1/32 x 11-1/2 x 60	RO / WO

Our Solid-Edge Glued treads are made from quality hardwoods, hand-selected for beauty and color grain, and assembled to the highest standards. Edge-glued treads are solid hardwood that will enhance the beauty of any staircase.



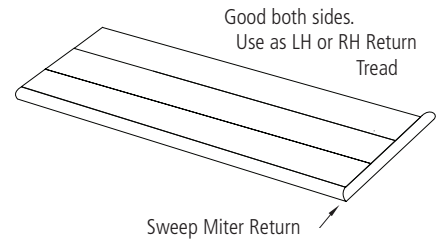
**Species Key**  
RO - Red Oak  
WO - White Oak

## Red Oak Sweep Miter Return Treads



Edge-glued Return Tread

Item #	Actual Net Size
8431	1-1/32 x 11-1/2 x 42
8431	1-1/32 x 11-1/2 x 48
8431	1-1/32 x 11-1/2 x 54
8431	1-1/32 x 11-1/2 x 60



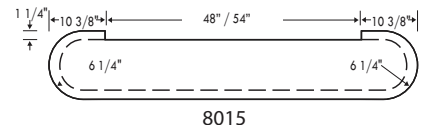
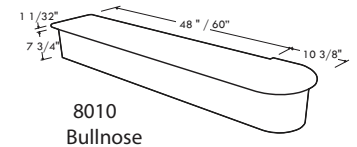
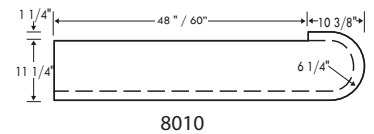
## 8010 Series Red Oak Starting Steps

Single and Double Starting Step Assemblies include pre-curved risers



Starting Step Assembly

Item #	Description
8010-48	Single Starting Step Assembly
8010-60	Single Starting Step Assembly
8015-48	Double Starting Step Assembly
8015-54	Double Starting Step Assembly

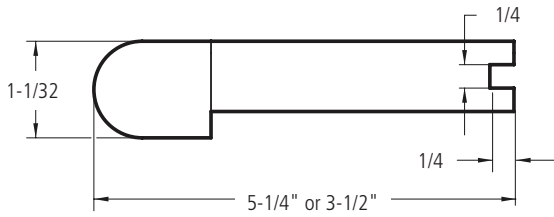




# Treads & Accessories

## Red Oak Landing Tread

Matches thickness of standard 3/4" Red Oak Flooring

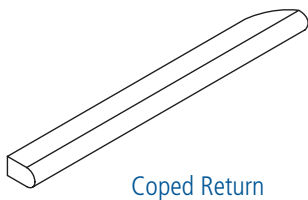


Item #	Description	Actual Net Size
8090	3-1/2" Landing Tread	1-1/32 x 3-1/2
8590	5-1/4" Landing Tread	1-1/32 x 5-1/4

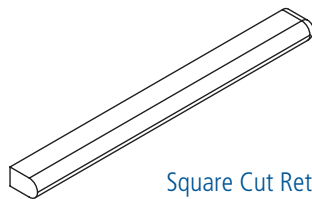


## Risers & Returns

Item #	Description	Actual Net Size	Species
8010R	Red Oak Riser	3/4 x 8 x 48	RO
9300	Sq. Cut Return	1-1/16 x 1-1/4 x 13 Sq. Cut	RO / WO
9300	Coped Return	1-1/16 x 1-1/4 x 13 Coped	RO / WO



Coped Return



Square Cut Return

Specie Key  
RO - Red Oak  
WO - White Oak



Red Oak Riser



# FasTREAD® Replacement Treads



Red Oak FasTREAD®

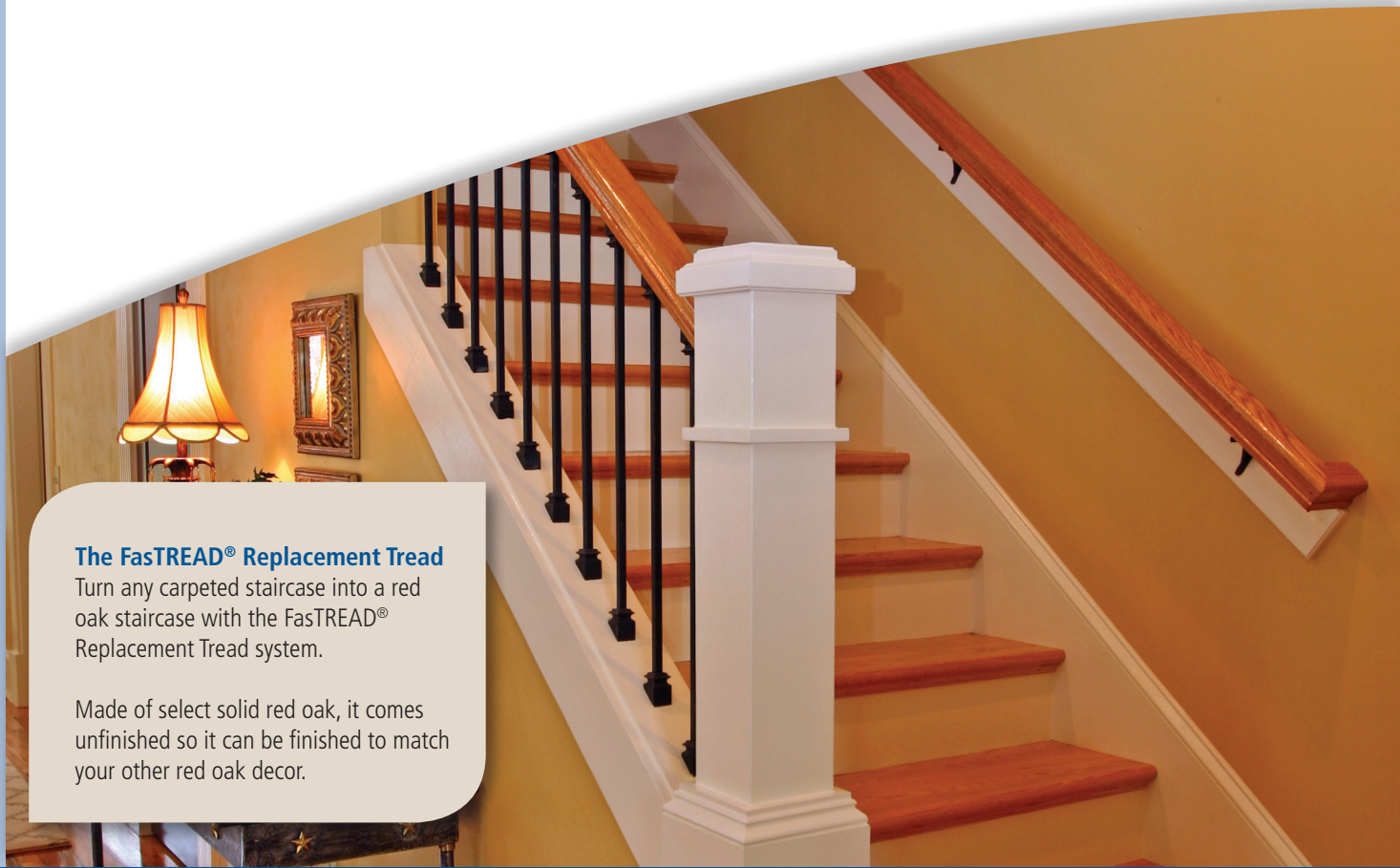


FasTREAD® Return

Attach the FasTREAD® Oak Return to the end of any FasTREAD® Replacement Tread to create a return tread.

The FasTREAD® Replacement Tread is designed to convert carpeted staircases into red oak masterpieces. The FasTREAD® fits over existing treads and is installed using common finish nails and wood adhesives.

Item #	Description	Size
8431	FasTREAD 48 Inch	5/8 x 11-1/2 x 48
8431	FasTREAD Loose Return	3/4 x 13 x 1-1/8



**The FasTREAD® Replacement Tread**  
 Turn any carpeted staircase into a red oak staircase with the FasTREAD® Replacement Tread system.

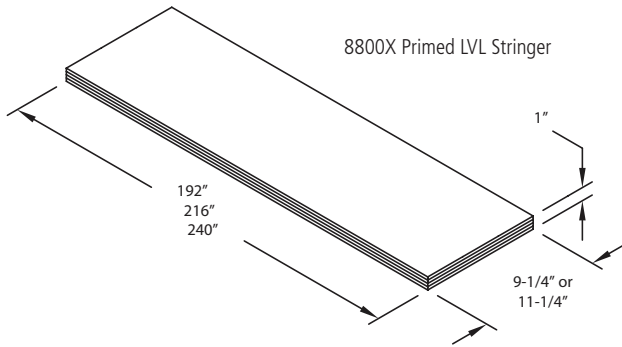
Made of select solid red oak, it comes unfinished so it can be finished to match your other red oak decor.



# Stringers & Risers

## Primed LVL Stringers

Available in 9-1/4" and 11-1/4" widths

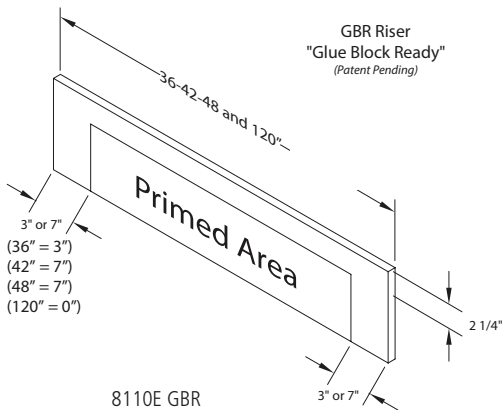


Primed LVL Stringer

Item #	Description	Size
8800X	Primed LVL Stringer	1 x 9-1/4 x 192 (16')
8800X	Primed LVL Stringer	1 x 9-1/4 x 216 (18')
8800X	Primed LVL Stringer	1 x 9-1/4 x 240 (20')
8800X	Primed LVL Stringer	1 x 11-1/4 x 216 (18')
8800X	Primed LVL Stringer	1 x 11-1/4 x 240 (20')

## Primed "GBR" Risers

Primed and Glue-Block Ready. Perfect for stair builders!



8110E GBR  
(Glue Block Ready)  
Primed Risers



Item #	Description	Size
8110E	Primed GBR Pine Risers	3/4 x 8-1/2 x 36
8110E	Primed GBR Pine Risers	3/4 x 8-1/2 x 42
8110E	Primed GBR Pine Risers	3/4 x 8-1/2 x 48
8110E	Primed GBR Pine Risers	3/4 x 8-1/2 x 120

# Installation Accessories

## Wood Installation



Key	Item #	Description	Size
A	9400K-RKT	Rail Bolt Kit	5/16" x 3-1/2"
B	6501008	Rail Bolt Wrench	7/8" x 6"
C	9400-300	3" Newel Attachment Kit	For 3" Newel Bases
C	9400-312	3-1/2" Newel Attachment Kit	For 3-1/2" Newel Bases
C	9400-500	5" Box Newel Attachment Kit	For 5" Newel Bases
D	9400K-NKT	Newel Attach Bolt	1/2"Ø x 11"
E	9400K-000	EZ Pin Baluster Pins	1/4"Ø x 3/4" Ø x 1-3/4"
F	9400K-038	Oak Plug - 3/8 inch	3/8" Diameter (10 pack)
F	9400K-012	Oak Plug - 1/2 inch	1/2" Diameter (4 pack)
F	9400K-100	Oak Plug 1-inch	1" Diameter (4 pack)

## Metal Installation



Profile	Description
EPOX100	2-Part Epoxy Dual Cartridge - Black
EPOX-NOZ	Disposable Mixing Nozzle
EPOX-CKT	Caulking Gun Conversion Kit
EPOX-APG	Dispenser Gun - Multi Use



## Fasteners & Trim

### Spring Bolt® Fasteners

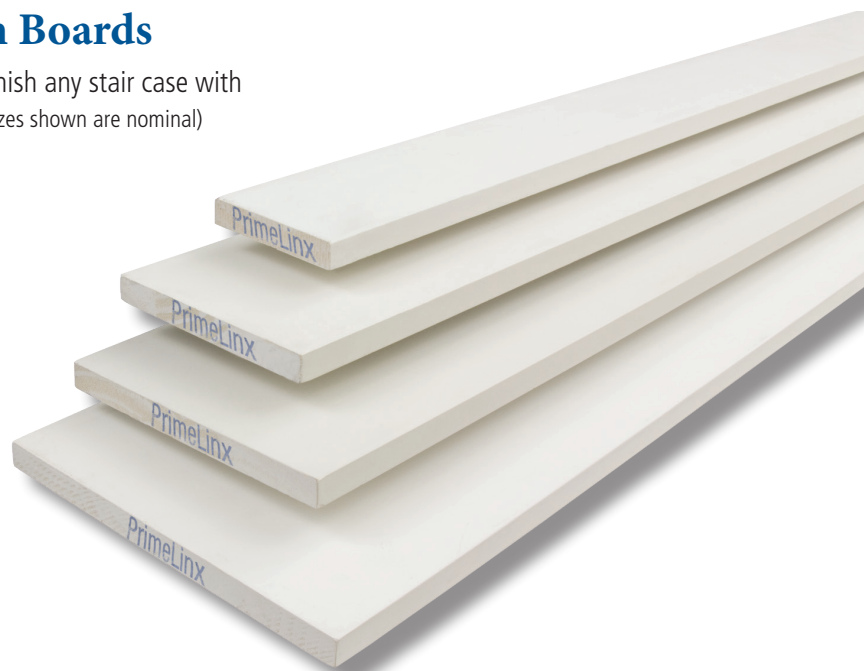
Spring Bolt® Fasteners are the revolutionary tool to use when joining handrails to fittings and newel posts. There's even a Spring Bolt® to use when installing newels to floor systems! Say goodbye to unsightly plugs and clunky rail bolt kits. Spring Bolts® attach in minutes.



Key	Item #	Description	Purpose	Size
A	9001205	Rail to Rail Connectors	Connects rail to rail or rail to fittings	1/2" w x 4-1/2" l
B	9001206	Rail to Post Connectors	Connects rail to newel post	7/8" w x 4-1/2" l
C	9001207	Rail to Post End Connector Set	Connects balcony rail to connecting newel posts	7/8" w x 4-1/2" l
D	9001208	Post to Floor Connector	Connects newel posts to floor system	1-1/4" w x 11" l

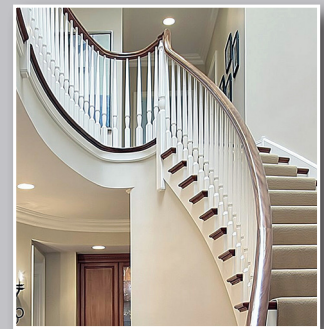
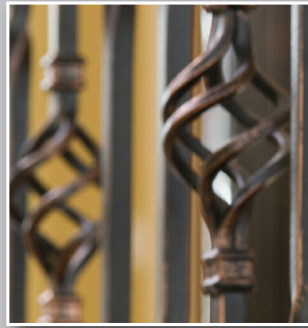
### PrimeLinx® Primed Trim Boards

Don't forget our PrimeLinx trim boards to finish any stair case with available sizes 1 x4, 1x6, 1x8, 1x10 1x12 (sizes shown are nominal)



# PROLinx<sup>®</sup>

STAIR SYSTEMS



FASTREAD, SPRING BOLT, and RAIL TO RAIL KIT are all registered trademarks of Regency Stair Parts.  
BLUELINX and the BLUELINX design are trademarks and registered service marks of BlueLinx Corporation. © 2016 BlueLinx Corporation. All rights reserved.